

*The unit is designed to accurately mark PCB's within a production line or can be used as stand alone cell. The usage of a 3-axis galvo-head provides a large marking area (350 x 350 mm) without having to use a X-Y gantry. This results in very short cycle times for a large number of markings. The type, number of markings and their positions are easily programmed in Windows™ based software. An optional integrated inverter is available for double-sided marking.*

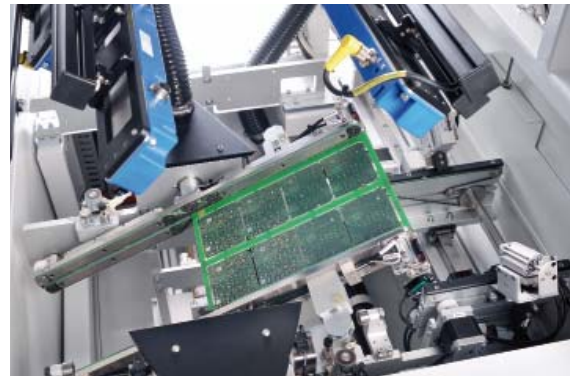


## Standard features

- Controlled by industrial PC.
- Capability to mark text, barcodes, 2D codes and graphics.
- Conveyor width adjustment using hand crank.
- PCB side clamping.
- Rigid machine structure with large access doors.
- Dynamic (adjustable) focal distance using software.
- Quick product change-over.
- Selectable by-pass operation.
- Uninterruptible power supply (UPS).
- Towerlight display for machine status.
- CE certified.

## Technical specifications

Laser type:	CO2, 10 Watt, air cooled
Wave length:	10.63 $\mu$ m
Laser class:	Class 4
Housing class:	Class 1
Marking area:	350 mm x 350 mm
Cell size:	$\geq 0,195$ mm (7 mil)
Conveyor type:	3 mm ESD edge belt
Conveyor speed:	24 m/min.
System software:	Windows 7
Network interface:	Ethernet
Monitor:	21" high-density flat screen
PCB transfer height:	950 mm $\pm$ 25 mm*
Component clearance:	Top 30 mm, bottom 30 mm*
Conveyor flow direction:	Left to right*
Conveyor interface:	SMEMA*
Colour:	RAL 9002*
Power supply:	230 VAC/50 Hz/1 Ph
Power consumption:	1600 VA max. (fume extraction included)
Air supply:	5 bar
Air consumption:	20 ltr/min max.
Noise level:	max. 65 dB * or specify

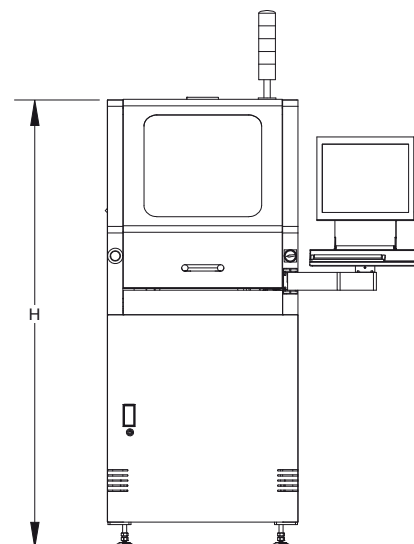
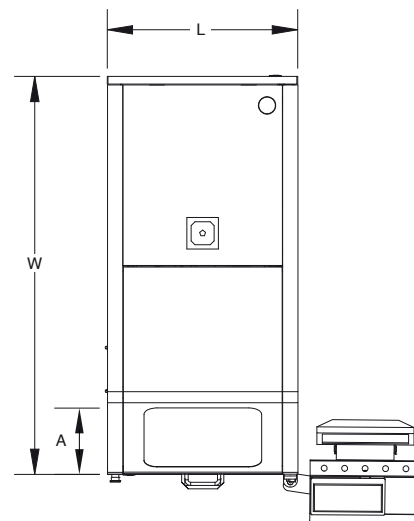
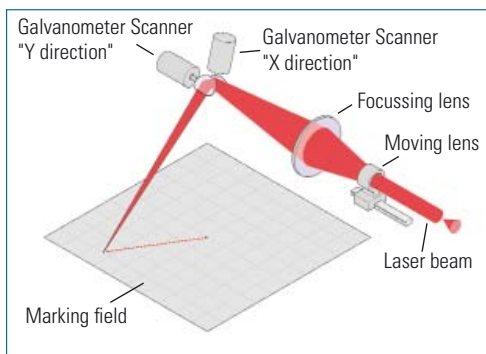


\* with optional inverter

## Options

- Program controlled conveyor width adjustment
- Double sided marking using integrated inverter
- Code verification of one single code at PCB edge using fixed scanner (Microscan MS4)
- Code verification, covering full marking area, using CCD camera, camera adaptor and LED bar lights
- Database- and network connection
- Fiber laser
- Fume extraction (external, 1000 VA max.)

Other options available on request



	<b>LMC-S5</b>
Machine dimensions (l x w x h)	850 x 1558 x 1752 mm
Weight	550 kg
Applicable PCB length	80 mm - 508 mm
Applicable PCB width	65 mm - 460 mm
Applicable PCB thickness	0.6 mm - 4 mm
Fixed rail to front dimension (A)	236 mm