

XSDC 601-01

Refrigerator Cabinet

Outstanding cooling performance

The new developed cabinet in the SuperDry Totech product line is able to cool between 2 and 20°C.

The XSDC 601-01 cabinet is added because it is a perfect fit for the current XSD product line.

The XSDC 601-01 can be used for various applications where cooling is needed.



XSDC 601-01

Standard features

✓ User friendly handling	High visibility display with basic functions
✓ Insulation	60 mm sandwich construction with Polyurethane
✓ Interior lighting	Low power consumption LED lighting
✓ Door & temperature alarm buzzer	Longer door openings are detected, high temperature levels are detected
✓ Leveling out	Adjustable legs
✓ Lockable doors	Every door can be locked separately with a key.
✓ Shelves	In height adjustable plastic-coated stainless steel racks (3 pcs)
✓ Body	Full stainless steel body
✓ Sensor	Precision NTC thermistor
✓ Power supply	Integrated power cord

Benefits

✓ Recovery time after power down	± 20 minutes after circa 10 hours of power down
✓ Temperature setting	2 to 20 °C
✓ Defrosting	Electric Automatic and Manual Defrosting
✓ Evaporation	Electric Condensation Water Evaporation
✓ Maintenance	Easy to service, low maintenance

XSDC 601-01

Technical data cabinet

- ✓ External dimensions: (W x H x D) 701,5 x 2060 x 735 mm
- ✓ Internal dimensions: (W x H x D) 550 x 1526 x 579 mm
- ✓ Weight: 113 kg
- ✓ Weight on shelf: 40 kg
- ✓ Shelves (WxD): 3 pcs, 530 x 500 mm.
- ✓ Volume: 466 L
- ✓ Electric supply: 230VAC 50Hz
- ✓ Average power consumption: +/- 60 - 100 Wh (depending on ambient temperature)

Technical data type 1 display

Settings

- ✓ Nominal Value Temperature
- ✓ Temperature Alarm
- ✓ Delay Temperature Alarm
- ✓ Doors Alarm
- ✓ Automatic Defrosting

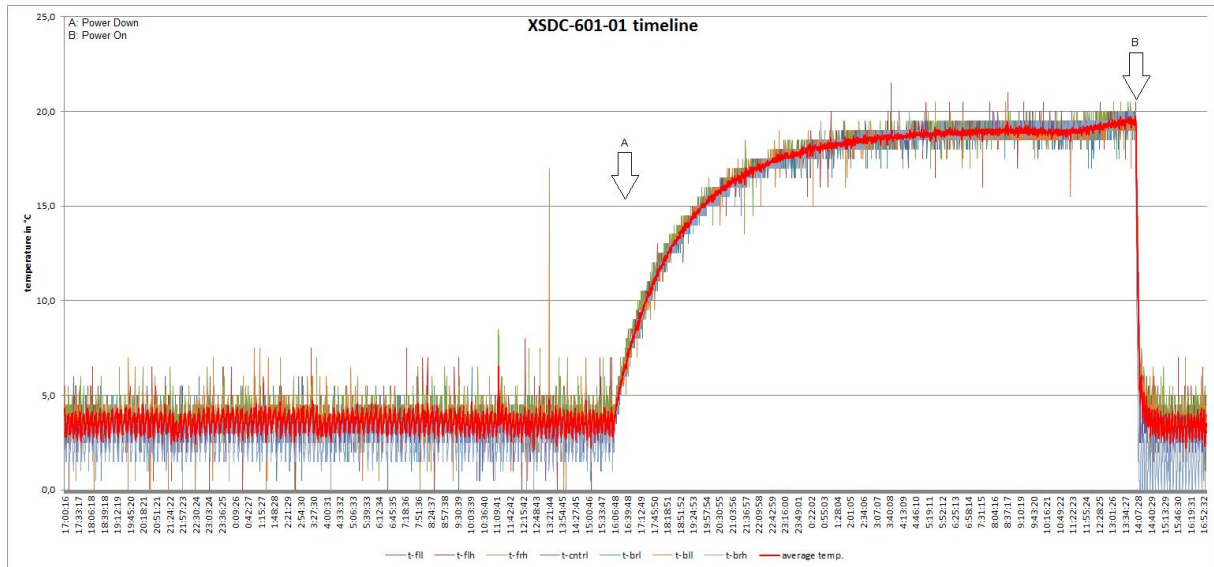


Technical data refrigerator unit

- ✓ Operating Temperature: 0 °C / 40 °C
- ✓ Power supply: 230VAC 50Hz
- ✓ Compressor power: 407 W
- ✓ Refrigerant: R452a

XSDC 601-01

Performance test



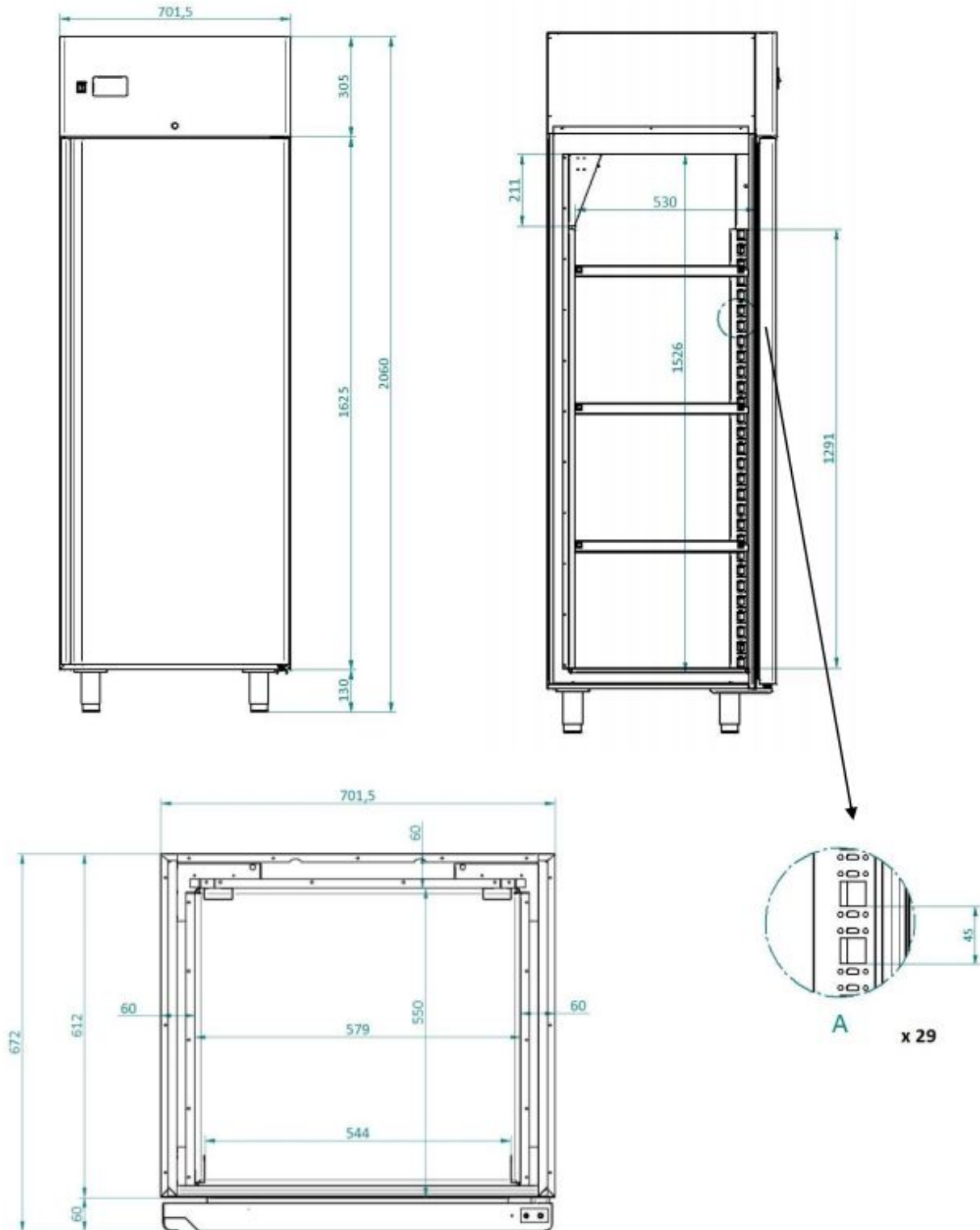
Test conditions

- ✓ Type of test probe: 9x Hygroclip HC2A-S
- ✓ Accuracy: $\pm 0.8 \%RH / \pm 0.1 K$, at 10...30 °C
- ✓ Location of sensors: Every corner + center
- ✓ Ambient conditions: $\pm 20^{\circ}C$
- ✓ Setpoint: 4°C
- ✓ Happenings: A: Power down
B: Power on

For more detailed test results, please refer to our website.
Performance test shown above is a timeline of 24 hours with a forced power down.

XSDC 601-01

Technical drawings



XSDC 601-01

Options



Door release pedal

These foot pedals enable you to open the doors keeping your hands free.

Item number 47000146



Additional sliding shelves

Stainless steel sliding shelf without rollers.

Item number 47000136