

## Refrigerator Cabinet

### Outstanding cooling performance

The new developed cabinet in the SuperDry Totech product line is able to cool between 2 and 20°C. All climate data can be tracked and recorded over time. The cabinet is compatible with our free available software.

It is also compatible with the latest Industry 4.0 standard. It can be connected to the network through a standard Ethernet interface.

The XSDC 601-02 can be used for various applications where cooling is needed.



## Standard features

✓ <b>User friendly handling</b>	Display with easy menu structure
✓ <b>Insulation</b>	60 mm sandwich construction with Polyurethane
✓ <b>Interior lighting</b>	Low power consumption LED lighting
✓ <b>Door &amp; temperature alarm buzzer</b>	Longer door openings are detected, high temperature levels are detected
✓ <b>Leveling out</b>	Adjustable legs
✓ <b>Lockable doors</b>	Every door can be locked separately with a key.
✓ <b>Shelves</b>	In height adjustable plastic-coated stainless steel racks (3 pcs)
✓ <b>Body</b>	Full stainless steel body
✓ <b>Power supply</b>	Power cord 5 meter with IEC plug

## Benefits

✓ <b>Recovery time after power down</b>	± 20 minutes after circa 10 hours of power down
✓ <b>Temperature setting</b>	2 to 20 °C
✓ <b>Network</b>	Standard Ethernet interface
✓ <b>Defrosting</b>	Electric Automatic Defrosting
✓ <b>Evaporation</b>	Electric Condensation Water Evaporation
✓ <b>Maintenance</b>	Easy to service, low maintenance

## Technical data cabinet

- ✓ External dimensions: (W x H x D) 701,5 x 2060 x 735 mm
- ✓ Internal dimensions: (W x H x D) 550 x 1526 x 579 mm
- ✓ Weight: 113 kg
- ✓ Weight on shelf: 40 kg
- ✓ Shelves (WxD): 3 pcs, 530 x 500 mm.
- ✓ Volume: 466 L
- ✓ Electric supply: 230 VAC 50Hz
- ✓ Average power consumption: +/- 60 - 100 Wh (depending on ambient temperature)

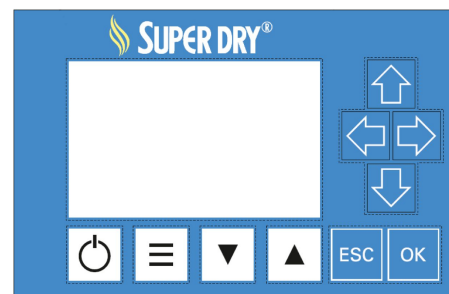
## Technical data type 2 display

### Settings

- ✓ Language Menu
- ✓ Nominal Value Temperature
- ✓ Temperature Alarm
- ✓ Delay Temperature Alarm
- ✓ Doors Alarm
- ✓ Interlocking
- ✓ Automatic Defrosting

### Display

- ✓ Supply voltage 24 VAC/DC
- ✓ Input 4 function keys (tactile-touch keys)
- ✓ Display 61 x 33 mm
- ✓ Ethernet connection
- ✓ Power consumption at 24 VDC, 75 mA

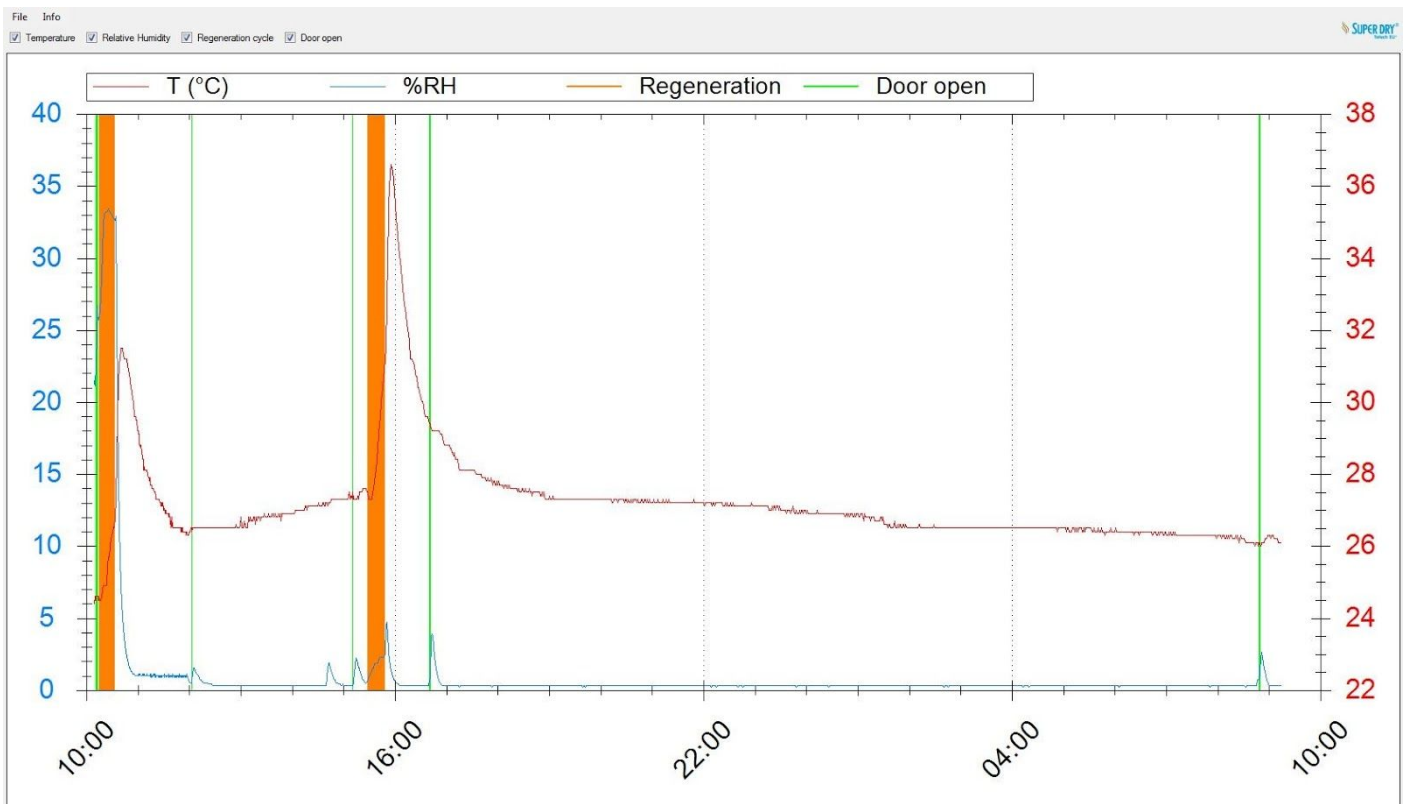


## Technical data refrigerator unit

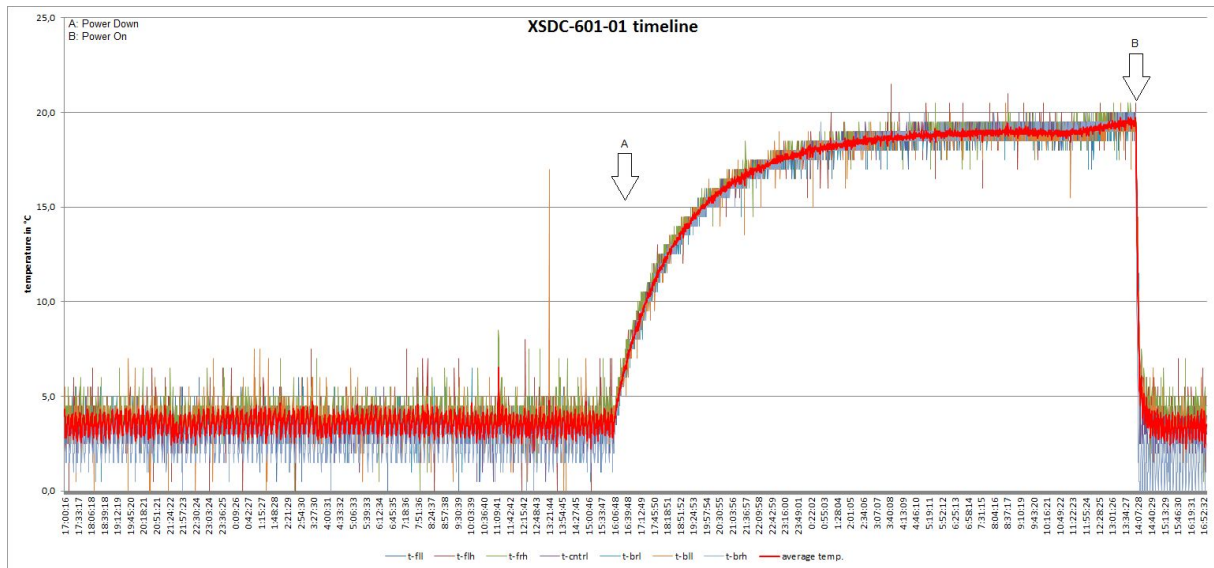
- ✓ Operating Temperature: 0 °C / 40 °C
- ✓ Power supply: 230VAC 50Hz
- ✓ Compressor power: 407 W
- ✓ Refrigerant: R452a

## Free Totech viewer

- ✓ Writing of climate data, door openings and alarms to SD card
- ✓ Transfer data through Ethernet to PC (history data)
- ✓ User-friendly display of all relevant data
- ✓ Data processing in MS-Excel
  
- ✓ Seamless documentation
- ✓ Excellent process safety



## Performance test

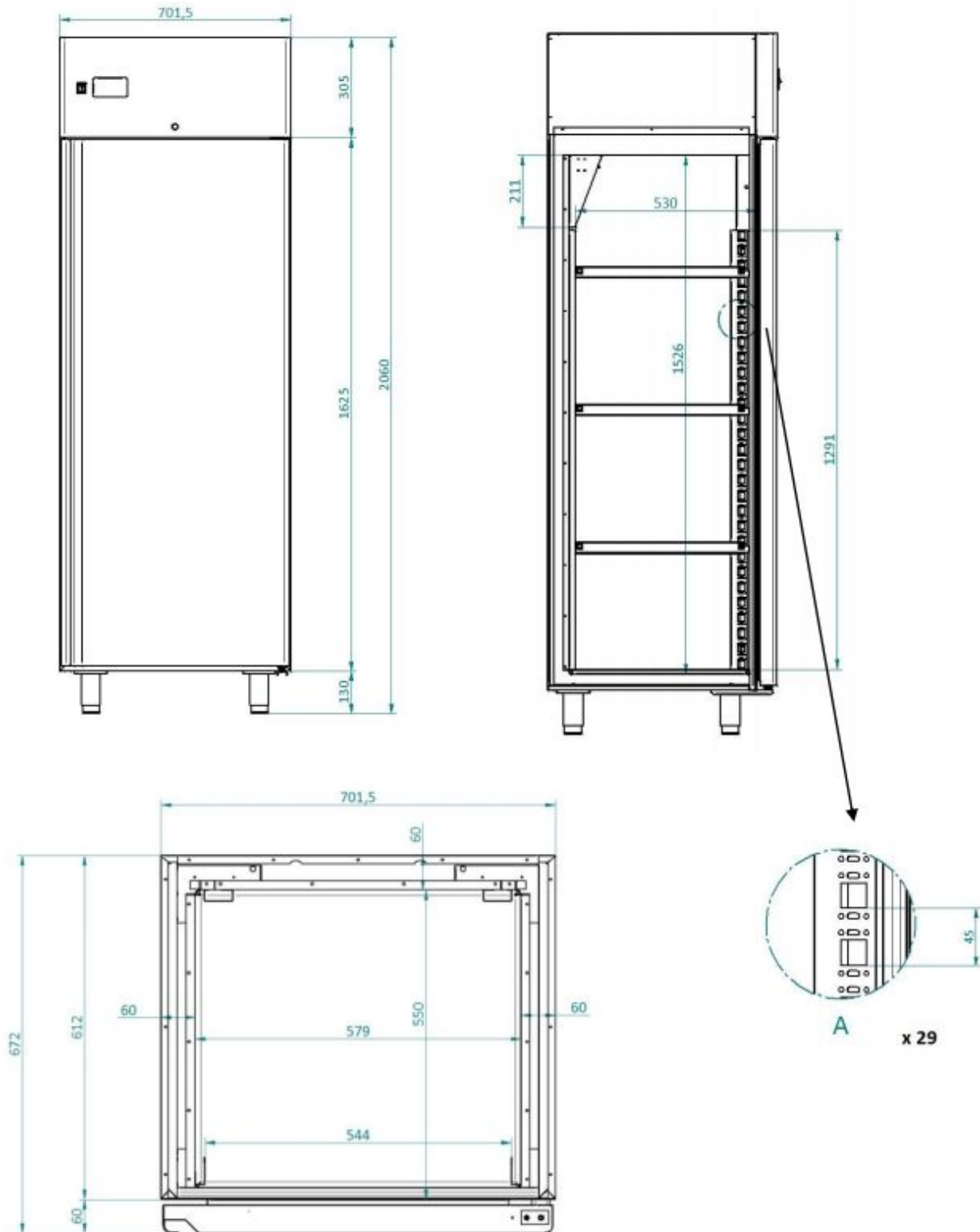


## Test conditions

- ✓ Type of test probe: 9x Hygroclip HC2A-S
- ✓ Accuracy:  $\pm 0,3^{\circ} \text{C}$  at  $+ 20^{\circ} \text{C}$  ( $+ 68^{\circ} \text{F}$ )
- ✓ Location of sensors: Every corner + center
- ✓ Ambient conditions:  $\pm 20^{\circ} \text{C}$
- ✓ Setpoint  $4^{\circ} \text{C}$
- ✓ Happenings: A: Power down  
B: Power on

For more detailed test results, please refer to our website.  
Performance test shown above is a timeline of 24 hours with a forced power down.

## Technical drawings



## Options



### Door release pedal

These foot pedals enable you to open the doors keeping your hands free.

*Item number 47000146*



### Additional sliding shelves

Stainless steel sliding shelf without rollers.

*Item number 47000136*



### Totech Monitor software

Realtime cabinet monitoring with alarm function, sending e-mails with detailed information on the status of the cabinet. History data files with graphical overview

*Item number 47000583*



### Humidity alarm signal lamp

Two-color (orange/green or red/green), magnetically fixed, providing optical signals on operational states and exceeded limit values. Operates on 24V.

*Item number 20016030*